

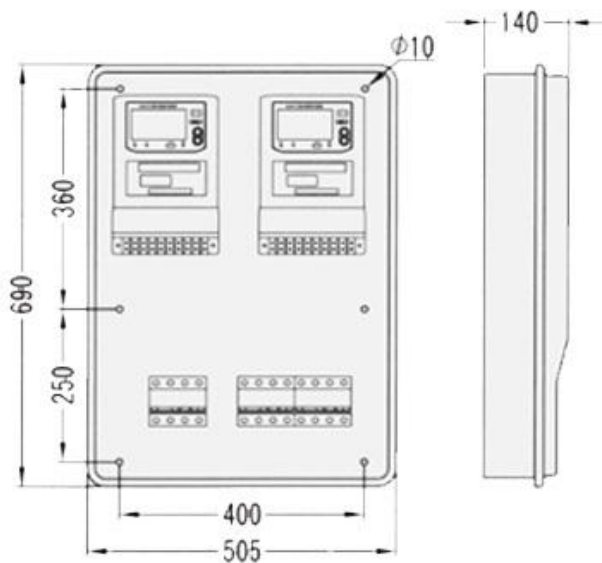
The BPMB0302 series meter box is especially designed for smart three phase meter(2 position) at the same time with MCB(Micro Circuit Breaker) as optional.

**Electrical Specification**

Model	Dimensions (HxWxD, mm)
BPMB0302 -690	690x505x140
	Dimensions can be customize by customer



**Mechanical Dimension (mm)**



**Application**

- Electrical substation
- Home
- Factory
- Building

**Feature**

- Water absorption  $\leq 0.1\%$
- Ingress protection IP54
- Resistance to mechanical shocks IK09
- Flammability UL94-V0
- Self-extinguishing SE
- Mechanical strength 64MPA
- Flexural strength 103MPA
- Light transmission (Transparent cover)  $> 88\%$
- Maximum operating temperature  $85^{\circ} C$
- Installation type  
Wall mounted
- Installation location Indoor