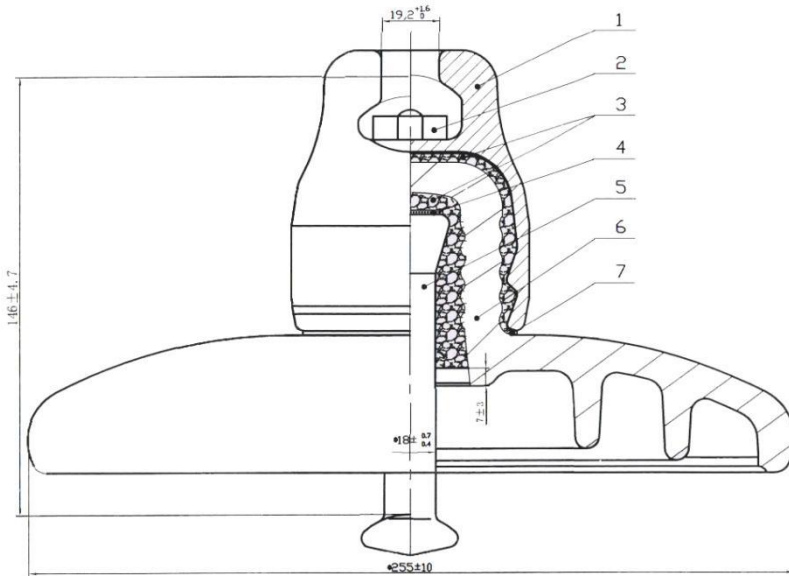


The BU70 Series glass insulator has very high dielectric strength compared to porcelain. It's resistivity is also very high, and low coefficient of thermal expansion.

Mechanical Dimension (mm)



Index	Name	QTY	Description
1	Cap	1	Malleable cast iron
2	Cotter Pin	1	Stainless steel
3	Cement	1	Aluminous cement
4	Cushion	1	Asphalt felt
5	Pin	1	Forged steel coating
6	Glass Part	1	Toughened glass
7	Cushion	1	Low density polythene

Application

- Electrical substation
- Factory
- Railway

Specification

- Combind M&E strength 30000bs
- Creepage distance 320mm
- Tension proof 12500bs
- Low frequency flashover dry 80kV
- Low frequency flashover wet 80kV
- Critical impulse flashover Pos 125kV
- Critical impulse flashover Neg 125kV
- Low frequency puncture 130kV
- Impact strength 60 inch-pounds
- Raido influence voltage (10kV/1MHz) < 50 μV
- Approx net weight 4kg
- Test standard ANSI