

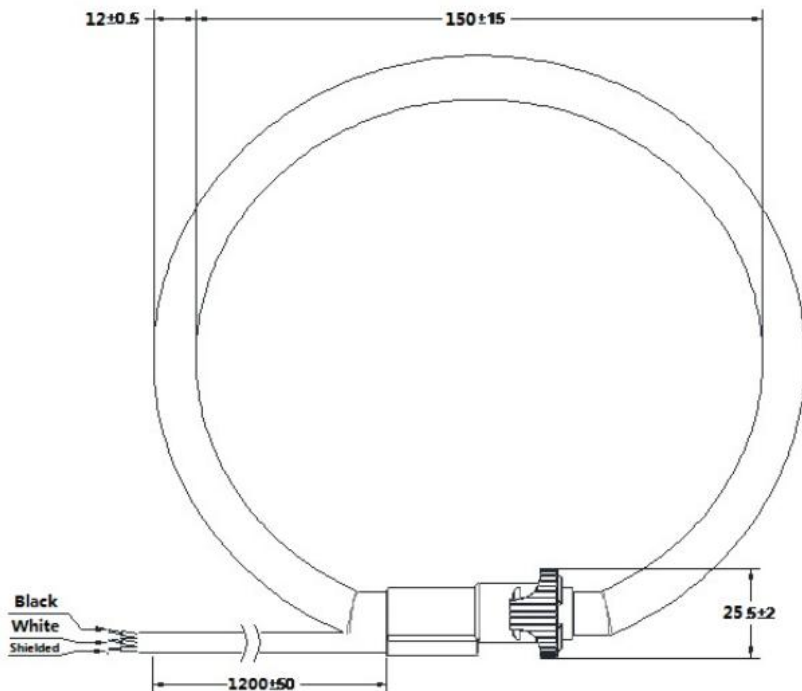
Flexible Rogowski coil Current Transformer has been designed for accurate measurement of wide AC current, pulsed DC or distorted wave forms. It may be used to measure AC current over a wide dynamic range and from 10Hz to 20kHz.

Electrical Specification

Model	Input Current	Output Voltage
BRC120	1000A	120mV AC/1000A@50Hz 144mV AC/1000A@60Hz
BRC190	2000A	240mV AC/2000A@50Hz 288mV AC/2000A@60Hz
BRC305	3000A	342mV AC/3000A@50Hz 410.4mV AC/3000A@60Hz



Mechanical Dimension (mm)



Application

- Very high current monitoring
- DC ripple measurement
- Harmonics and transients monitoring
- Power monitoring & control systems
- Applicable in electronic Watt-hour mete

Feature

- Conductor Position Sensitivity $\pm 2\%$
- No danger from open-circuited secondary
- Rigid housing case with UL94V-0 durable plastic
- IP 65(Probe head only)

Specification

- Standard Input Current 1-500A
- Frequency 50Hz/60Hz
- Standard accuracy <math>< 1\%</math>
- Phase Shift 50/60Hz (typical <math>< 0.5^\circ</math>)
- Frequency Range 10Hz to 20kHz
- Working Temp. -20 ° C to +60 ° C
- Insulation Category CAT III

Caution: Before installation, safety precautions must be followed by licensed. Never energize primary unless short circuited terminals or burden connected to secondary.